

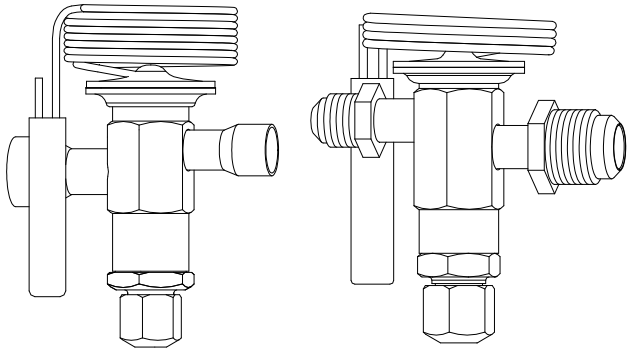
Installation Guide 安装指导

Thermo Expansion Valve Type 膨胀阀型号: TC

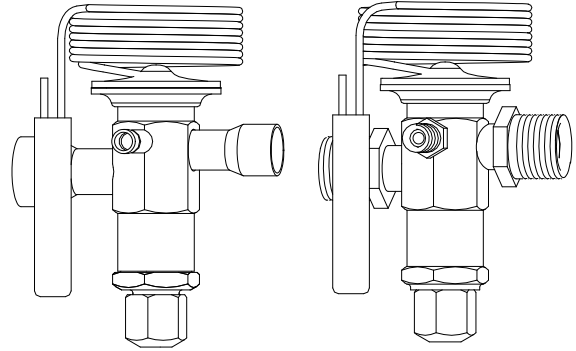
Refrigerants 制冷剂
R404A/R507,R22/R407C,R134a,R410A,R407C

Max. working pressure
PS/MWP = 46 bar/ 667psig

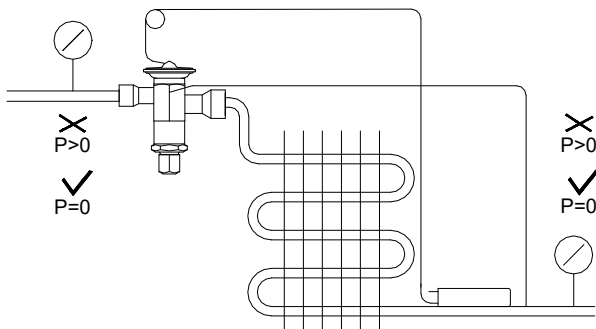
Max. test pressure
Ptest = 46 bar/ 667psig



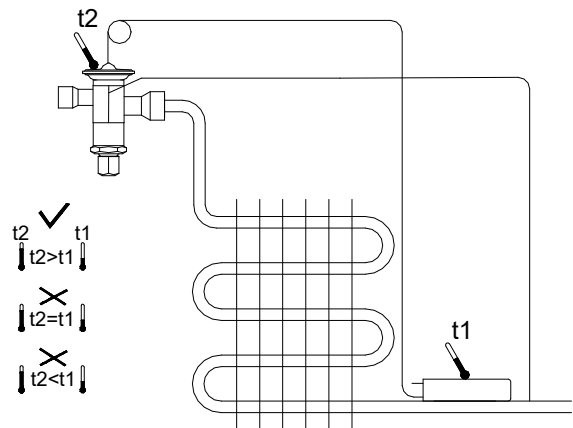
Straight-way, In. Equalization, Adjustable
直通内平衡可调节阀



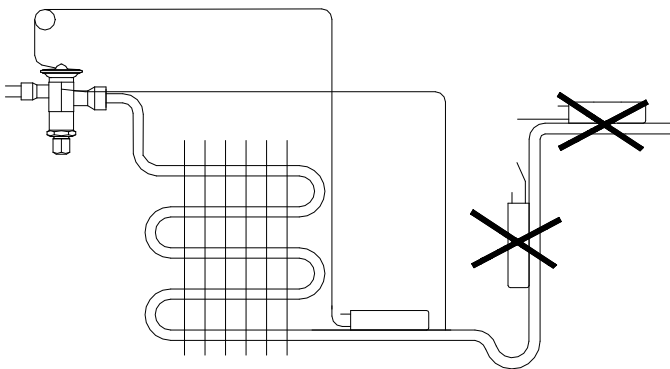
Straight-way, Ex. Equalization, Adjustable
直通外平衡可调节阀



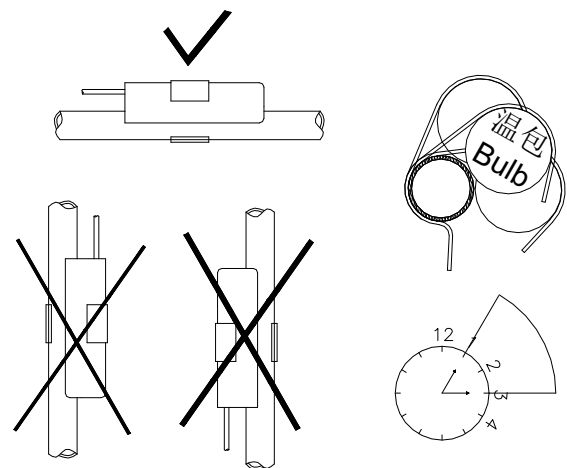
Installation Pressure 安装压力



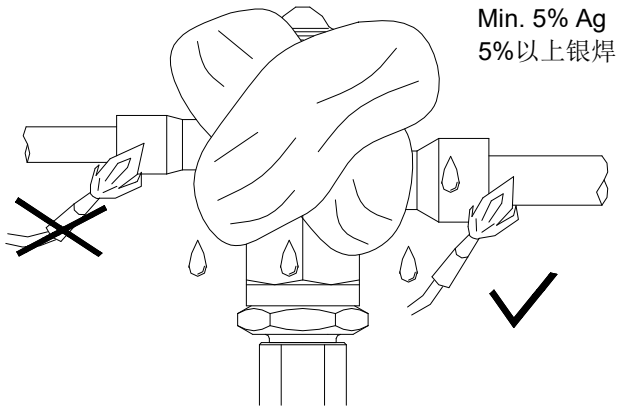
Installation Temperature 安装温度



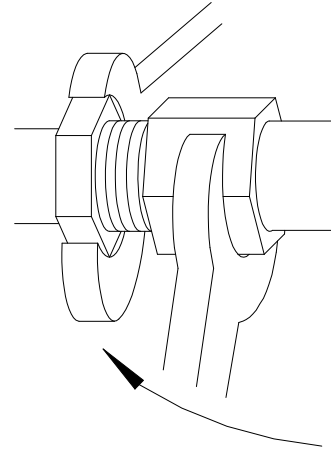
Bulb and EX. equ. Tube Location 感温包及外平衡管位置



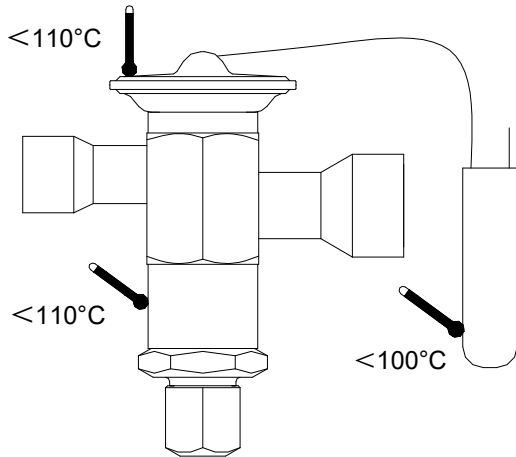
Bulb Orientation 感温包安装方位



Brazing with Dripping Cloth 滴水湿布包裹后焊接



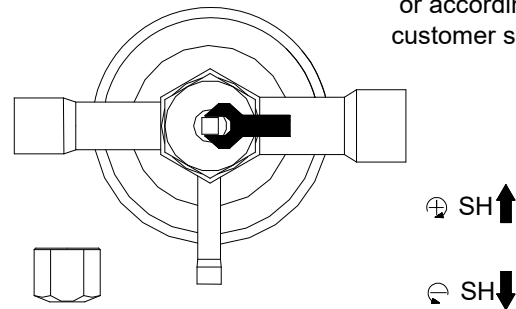
Screw Connection 螺口连接



Max. Bulb and House Temperature 最大温包及阀体温度

Model	Refrigerant	SH /1turn/360°
TCC	R22/R407C	2.5K
	R410A	2K
TC	R22/R407C	2.5K
	R410A	1.5K

工厂设定
常规4K, 或按客户定制
Factory setting
SS=4K
or according to
customer specification



Superheat Adjustment 静止过热度调节

Identification
铭牌识别

Essential valve data is given on the element label
标签基本参数说明

- TCEX — Valve Type/阀型
- 7.5TR — Rated capacity Qnom.in Tons of refrigeration /名义制冷量 (TR)
- 27kW — Rated capacity Qnom.in kW /名义制冷量 (kW)
- R22/R407C — Refrigerant/制冷剂
- 25/+10°C — Evaporating temperature range (°C)/蒸发温度范围
- 440011032300 — Produce code/产品码
- CF1100002 — Tracing code/产品追溯代码
- PS 46bar/MWP 667psig — MAX. Working pressure/最大工作压力 (阀前)
- MOP 15°C — MAX. Operation temperature/最大蒸发温度 (阀后)
- BP 15 — Bleed 15%/泄流量15%

